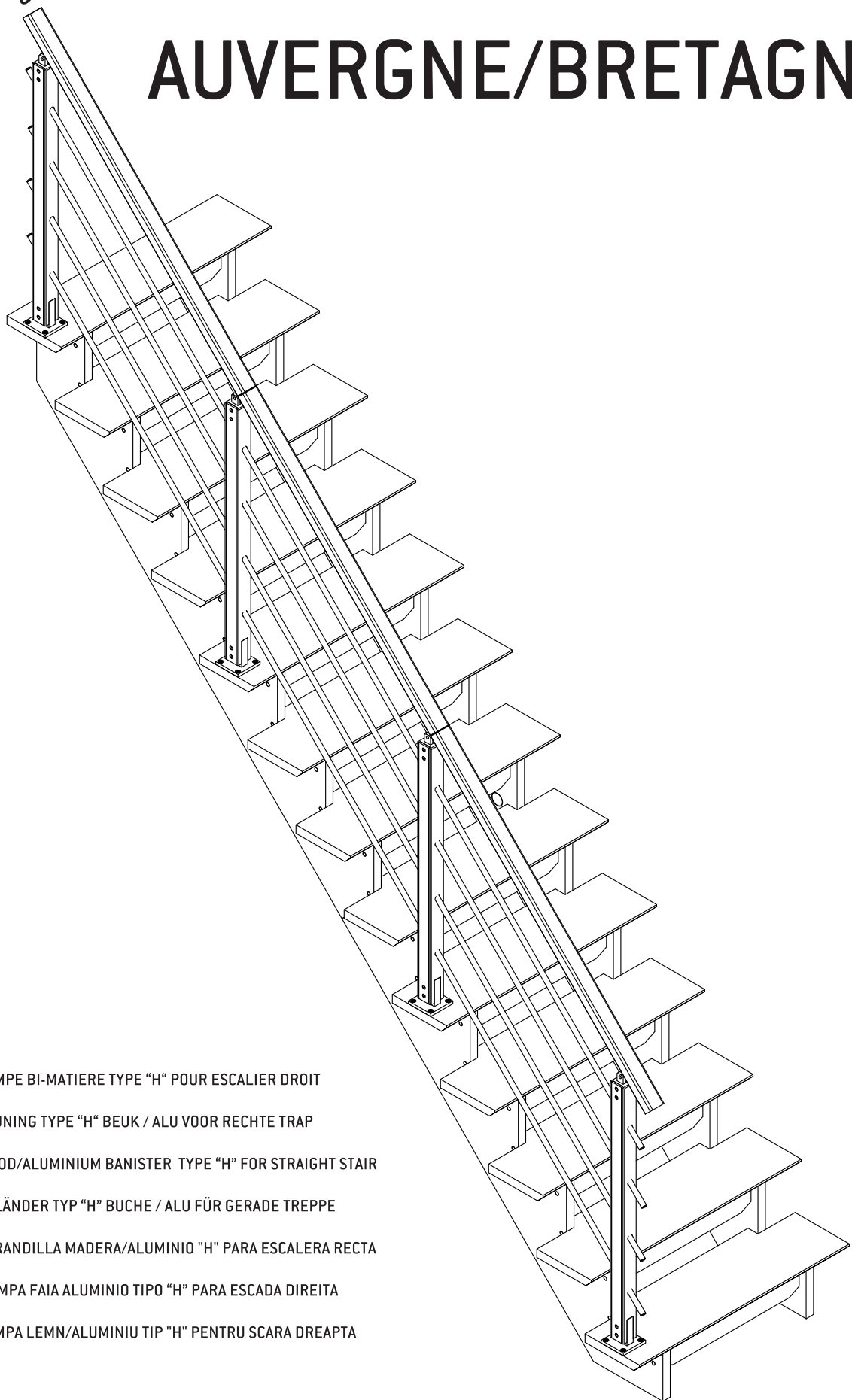
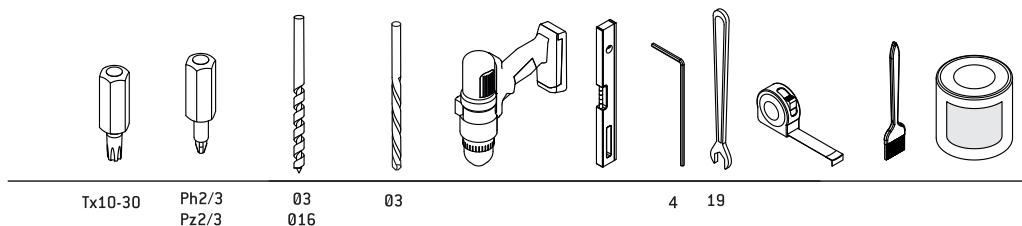


# AUVERGNE/BRETAGNE



- FR AUVERGNE/BRETAGNE RAMPE BI-MATIERE TYPE "H" POUR ESCALIER DROIT
- NL AUVERGNE/BRETAGNE LEUNING TYPE "H" BEUK / ALU VOOR RECHTE TRAP
- GB AUVERGNE/BRETAGNE WOOD/ALUMINIUM BANISTER TYPE "H" FOR STRAIGHT STAIR
- DE AUVERGNE/BRETAGNE GELÄNDER TYP "H" BUCHE / ALU FÜR GERADE TREPPE
- ES AUVERGNE/BRETAGNE BARANDILLA MADERA/ALUMINIO "H" PARA ESCALERA RECTA
- PT AUVERGNE /BRETAGNE RAMPA FAIA ALUMINIO TIPO "H" PARA ESCADA DIREITA
- RO AUVERGNE/BRETAGNE RAMPA LEMN/ALUMINIU TIP "H" PENTRU SCARA DREAPTA

<b>01</b> 55x55x970mm x4 	<b>02</b> 35x55x1117mm x1 	<b>03</b> 35x55x1246mm x1 	<b>04</b> 35x55x1246mm x1 	<b>05</b> 6x40x898mm x4 RAL 7037 	<b>06</b> 16x1218 mm x8 RAL 7037 	<b>07</b> 16x1117 mm x4 RAL 7037 	<b>08</b> Ø10x50mm x4 	<b>09</b> M5 x 50 mm x8 	<b>10</b> M12x70mm x4 	<b>11</b> Ø24x3mm x4 
<b>12</b> M12x19x22mm x4 	<b>13</b> Ø16x12mm x8 RAL 7037 	<b>14</b> M6x20mm x16 	<b>15</b> 4x30mm x16 	<b>16</b> 4.2x38mm x8 	<b>17</b> 3x19mm x8 	<b>18</b> 40x99x23mm x1 				



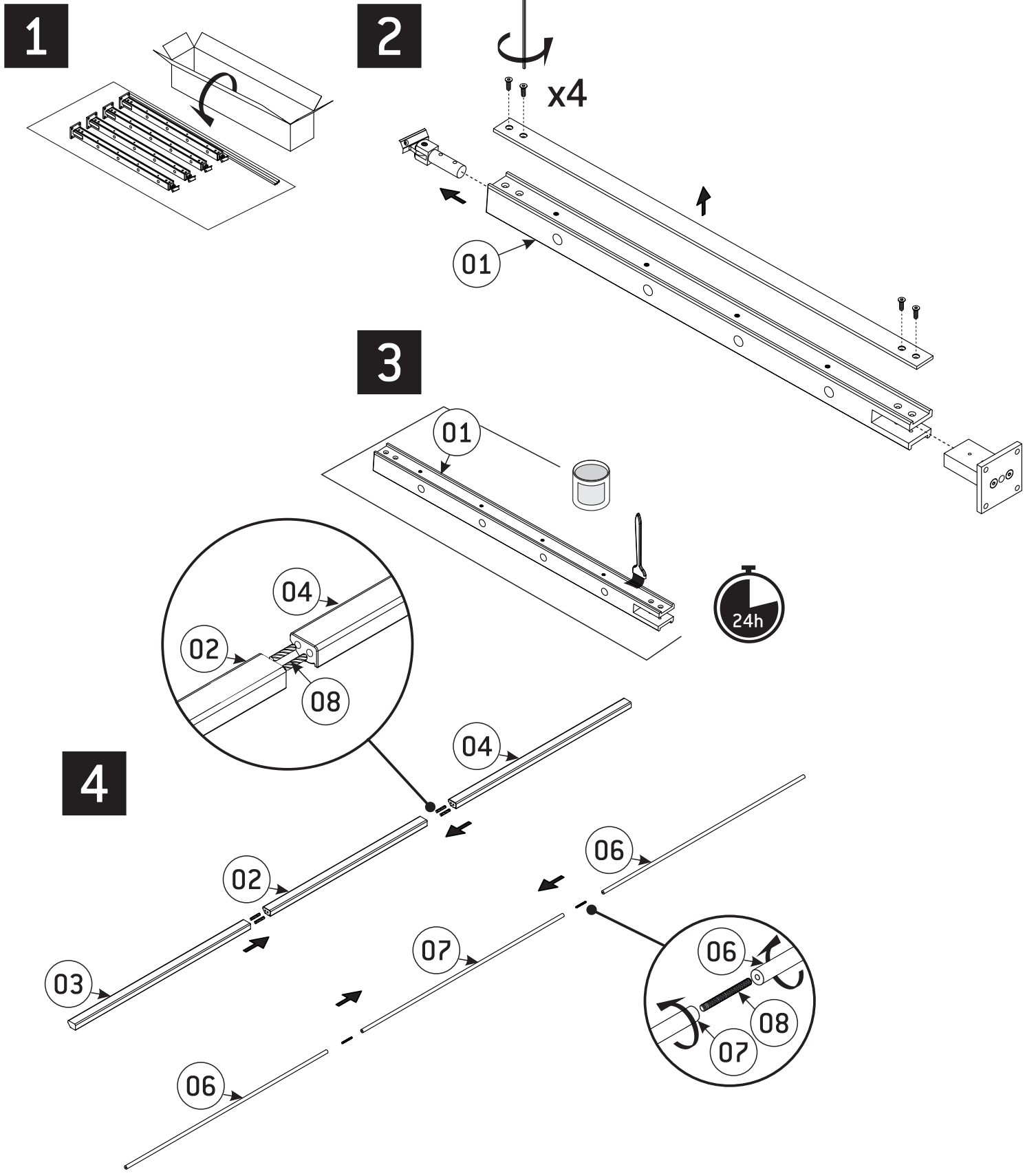
Tx10-30

Ph2/3  
Pz2/3

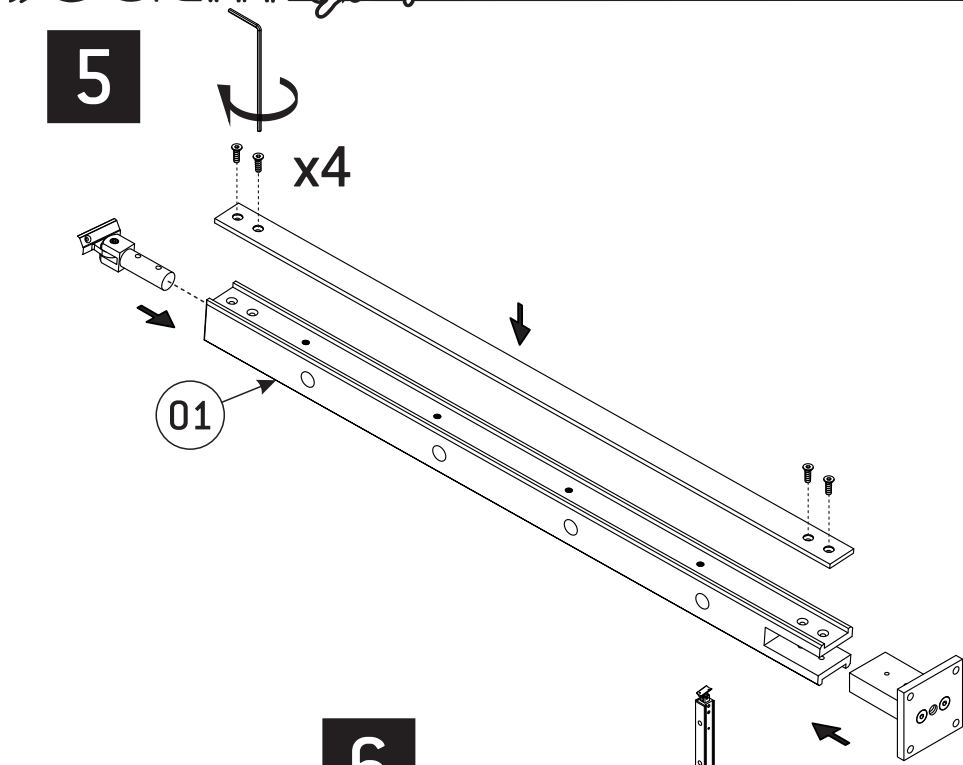
03  
016

03

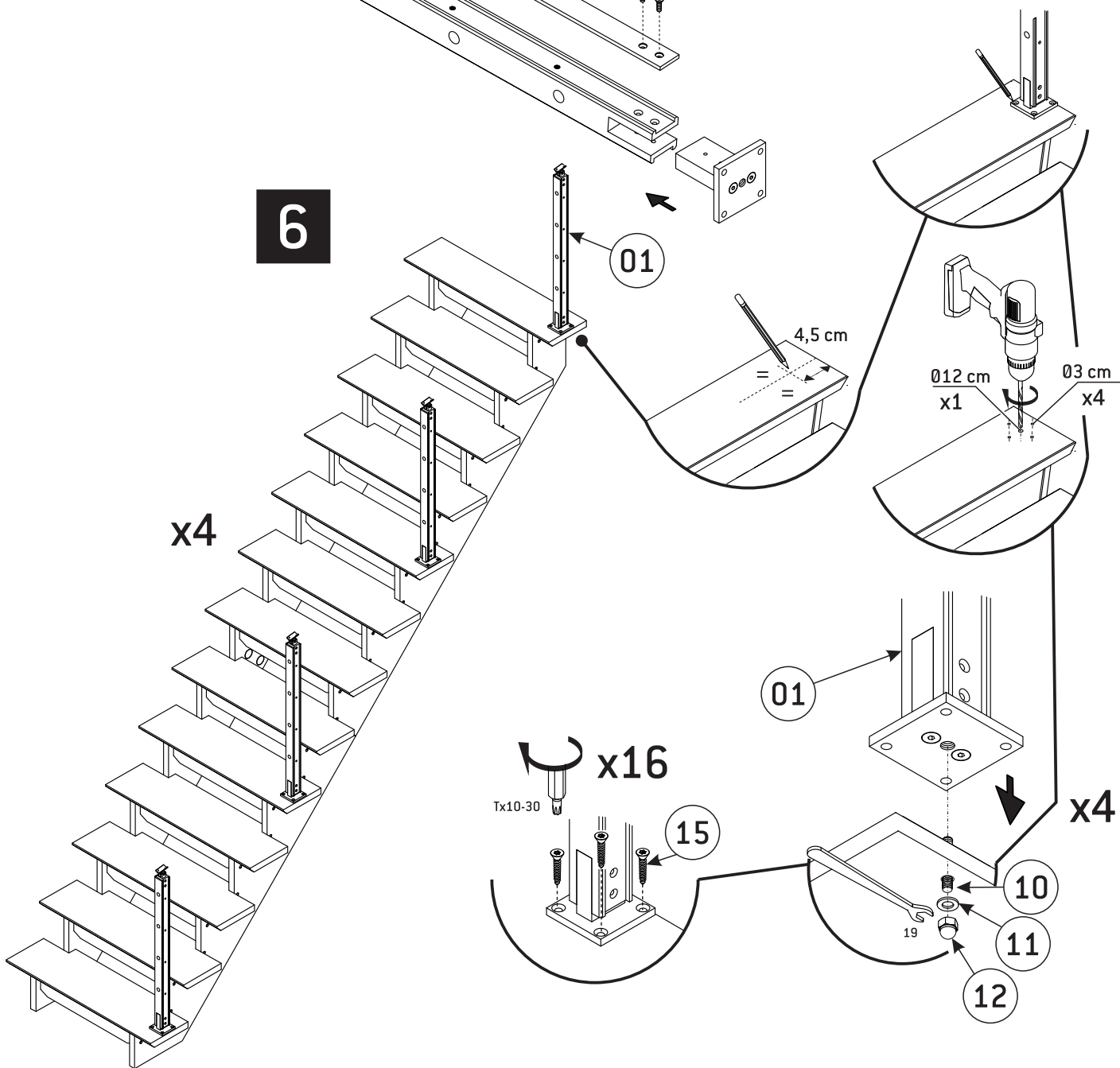
4 19

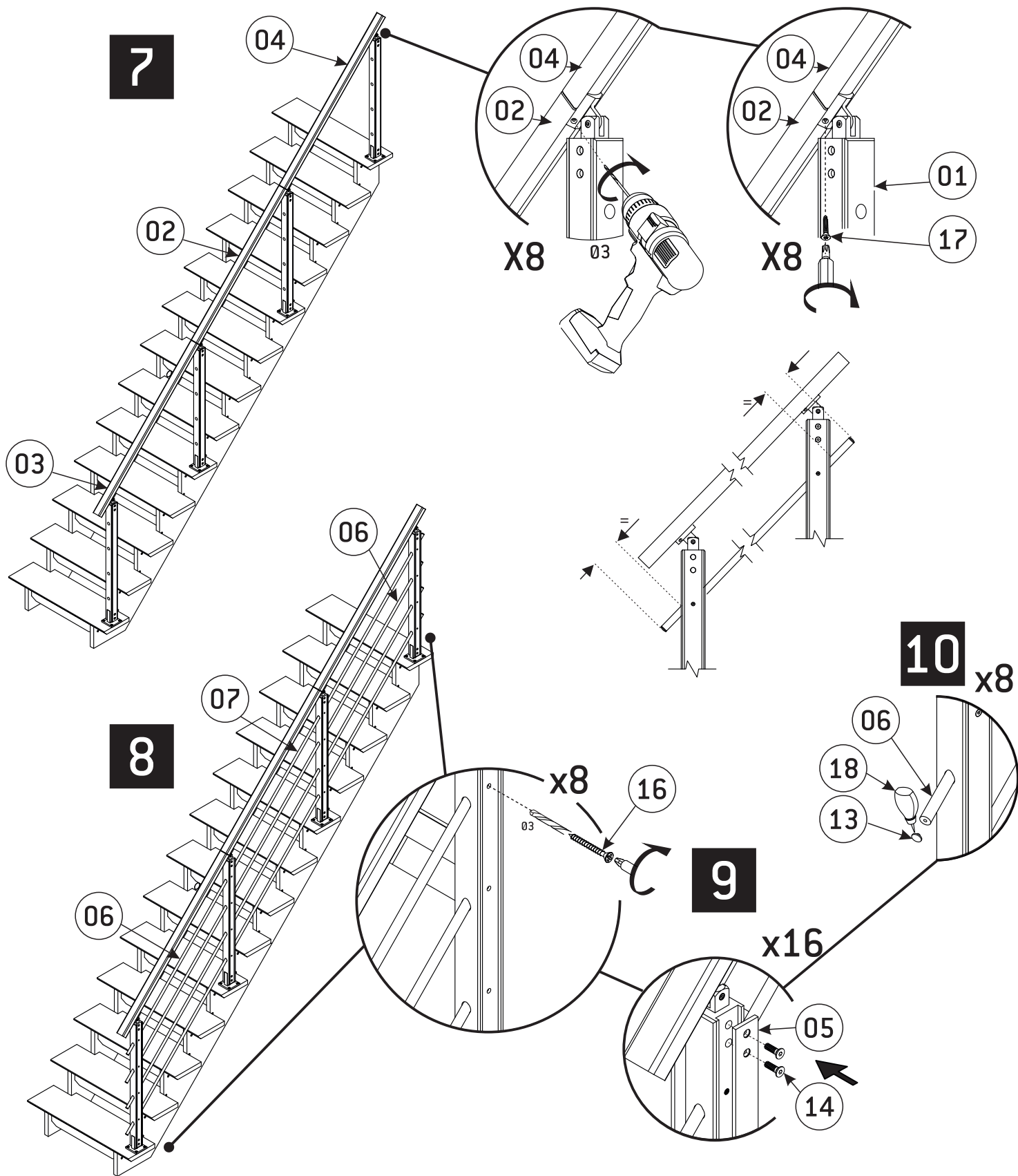


**5**



**6**





RUE GRIMARD, 39 B-6061 MONTIGNIES-SUR-SAMBRE (CHARLEROI) - BELGIUM  
 TEL: +32/71/25.39.60 FAX: +32/71/25.39.72 E-MAIL: info@sogem-sa.com